

AME7730

100mA Regulated Charge Pump

■ General Description

The AME7730 is a charge pump voltage doublers that delivers a regulated output. No external inductor is required for operation. Using three small capacitors, the AME7730 can deliver up to 100mA to the voltage regulated output. The AME7730 features very low output ripple and high efficiency over a large portion of its load range making this device ideal for battery-powered applications. Furthermore, the combination of few external components and small package size keeps the total converter board area to a minimum in space restricted applications.

The AME7730 contains a thermal management circuit to protect the device under continuous output short circuit conditions.

The AME7730 is available in SOT-26 / TSOT-26 package and is rated from -40°C to 85°C.

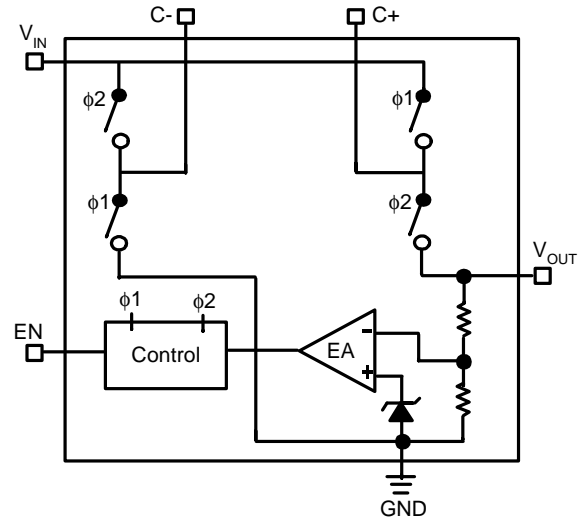
■ Features

- Input Voltage Range: 2.7V to 5V
- Accurate to with $\pm 4\%$
- Output Current: 100mA with $V_{IN} \geq 3.0V$
50mA with $V_{IN} \geq 2.7V$
- 1MHz Switching Frequency
- Shutdown Mode $< 1\mu A$
- Short Circuit Protection
- Over Temperature Protection
- All AME's Lead Free Product Meet RoHS Standards

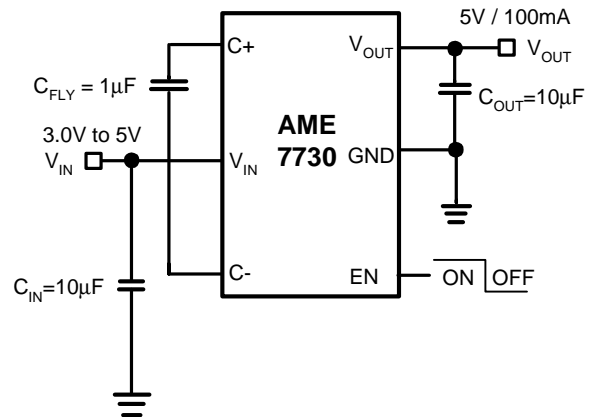
■ Applications

- Cellular Phones
- Digital Cameras
- PDAs LCD displays
- LED / Display Back Light Driver
- LEDs for Camera Flash

■ Functional Block Diagram

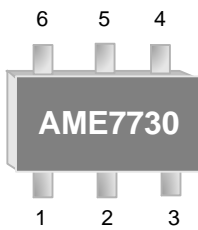


■ Typical Application



■ Pin Configuration

SOT-26 / TSOT-26
Front View



AME7730AEEY

1. OUT
2. GND
3. EN
4. C-
5. IN
6. C+

* Die Attach:
Conductive Epoxy

■ Pin Description

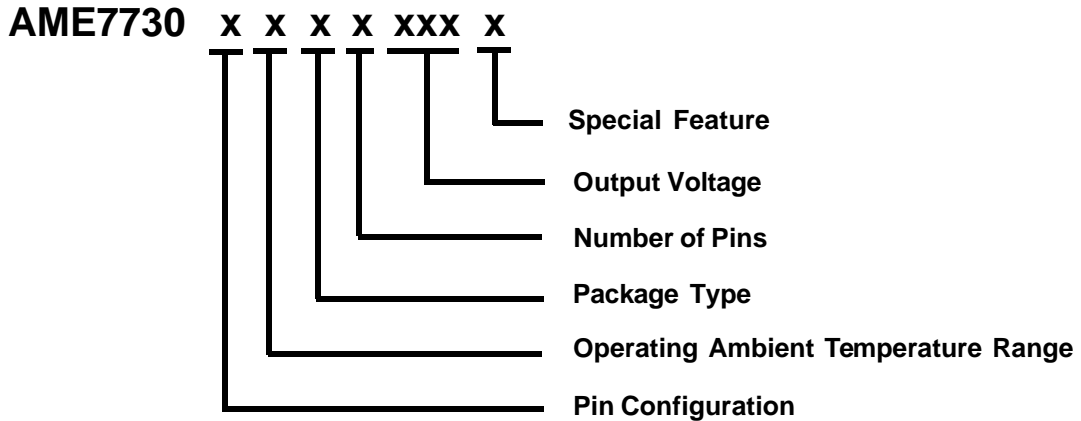
Pin Number	Pin Name	Description
1	OUT	Regulator Output Pin. V_{OUT} should be bypassed with a 10 μ F low ESR ceramic capacitor
2	GND	Ground Pin Connection
3	EN	Enable Input. Active Low disable the regulator
4	C-	Pump Capacitor Negative Terminal
5	IN	Input Supply Pin. V_{IN} should be bypassed with a 10 μ F low ESR ceramic capacitor
6	C+	Pump Capacitor Positive Terminal



AME7730

100mA Regulated Charge Pump

■ **Ordering Information**



Pin Configuration	Operating Ambient Temperature Range	Package Type	Number of Pins	Output Voltage	Special Feature
A 1. OUT (SOT-26) 2. GND (TSOT-26) 3. EN 4. C- 5. IN 6. C+	E: -40°C to 85°C	E: SOT-2X	Y: 6	500: V = 5V	Z: Lead free Y: Lead free & Low profile

■ **Ordering Information**

Part Number	Marking*	Output Voltage	Package	Operating Ambient Temperature Range
AME7730AEEY500Y	BCAww	5V	TSOT-26	- 40°C to 85°C
AME7730AEEY500Z	BCAww	5V	SOT-26	- 40°C to 85°C

Note: ww represents date code and pls refer Date Code Rule on Package Dimension.

* A line on top of the first letter represents lead free plating such as BCA

Please consult AME sales office or authorized Rep./Distributor for the availability of output voltage and package type.



■ Absolute Maximum Ratings

Parameter	Maximum	Unit
Input Voltage, Output Voltage, C-, C+	-0.3 to 5.5	V
EN	-0.3 to $V_{IN} + 0.3$	
ESD Classification	B*	

Note : Caution: Stress above the listed in absolute maximum ratings may cause permanent damage to the device.
 * HBM B: 2000V ~ 3999V

■ Recommended Operating Conditions

Parameter	Symbol	Rating	Unit
Ambient Temperature Range	T_A	- 40 to 85	°C
Junction Temperature Range	T_J	- 40 to 125	°C
Storage Temperature Range	T_{STG}	- 65 to 150	°C

■ Thermal Information

Parameter	Package	Die Attach	Symbol	Maximum	Unit
Thermal Resistance* (Junction to Case)	SOT-26 TSOT-26	Conductive Epoxy	θ_{JC}	81	°C/W
Thermal Resistance (Junction to Ambient)			θ_{JA}	260	
Internal Power Dissipation			P_D	400	mW
Solder Iron (10 Sec)**				350	°C

* Measure θ_{JC} on center of molding compound if IC has no tab.

** MIL-STD-202G 210F

■ Electrical Characteristics

$V_{IN} = V_{EN} = 3V$, $C_{pump} = 1\mu F$, $C_{IN} = 10\mu F$, $C_{OUT} = 10\mu F$, Typical values are at $T_A = 25^\circ C$, unless otherwise noted.

Parameter	Symbol	Test Conditions	Min	Typ	Max	Units
Input Voltage	V_{IN}	$V_{OUT} = 5.0V$	2.7		5	V
Output Voltage	V_{OUT}	$I_{OUT} \leq 50mA$, $2.7V < V_{IN} < 5V$	4.8	5	5.2	V
		$I_{OUT} \leq 100mA$, $3.0V < V_{IN} < 5V$	4.8	5	5.2	
Quiescent Current	I_Q	$2.7V < V_{IN} < 5V$, $I_{OUT} = 0mA$, $V_{EN} = V_{IN}$		60	100	μA
Shutdown Current	I_{SHDN}	$2.7V < V_{IN} < 3.6V$, $I_{OUT} = 0mA$, $V_{EN} = 0$		0.01	1	μA
		$3.6V < V_{IN} < 5V$, $I_{OUT} = 0mA$, $V_{EN} = 0$			2.5	
Short Circuit Current Limit	I_{SC}	$V_{IN} = V_{EN} = 3V$, $V_{OUT} = GND$		300		mA
Ripple Voltage ¹	V_{RIPPLE}	$V_{IN} = 2.7V$, $I_{OUT} = 50mA$, $V_{OUT} = 5V$		25		mVp-p
		$V_{IN} = 3V$, $I_{OUT} = 100mA$, $V_{OUT} = 5V$		30		
Efficiency	η	$V_{IN} = 2.7V$, $I_{OUT} = 50mA$, $V_{OUT} = 5V$		90		%
Frequency	f_{OSC}	Oscillator Free Running		1.0		MHz
EN Input Threshold High	V_{EH}		1.3			V
EN Input Threshold Low	V_{EL}				0.6	V
EN Input Current	I_{EN}	$V_{EN} = V_{IN}$, $V_{EN} = GND$			0.1	μA
Over Temperature Shutdown	OTS			160		$^\circ C$
Over Temperature Hysteresis	OTH			20		$^\circ C$

Note 1: Effective series resistance (ESR) of capacitors is $< 0.1\Omega$.



AME7730

100mA Regulated Charge Pump

■ Detailed Description

The AME7730 uses charge pump voltage doubler structure to boost an input voltage to a regulated output voltage. Regulation is achieved by detecting the charge pump output voltage through an internal resistor divider network. A charge pump circuit is enabled when the divided output voltage below a preset trip point controlled by an internal comparator.

■ Short Circuit and Thermal Protection

The AME7730 has a thermal protection and shutdown circuit that continuously monitors the IC junction temperature. If the thermal protection circuit senses the die temperature exceeding approximately 160°C, the thermal shutdown will disable the charge pump switching cycle operation, the thermal limit system has 20°C of system hysteresis before the charge pump can reset. Once the over current event is removed from the output and the junction temperature drops below 140°C, the charge pump will become active again. The thermal protection system will cycle on and off if an output short circuit condition persists. This will allow the AME7730 to operate indefinitely a short circuit condition with out damage to the device.

■ Shutdown Mode

A control pin EN on the regulator can be used to place the device into an energy-saving shutdown mode. In this mode, the output is disconnected from the input as long as V_{IN} is greater than or equal to minimum V_{IN} and input quiescent current is reduced to 1μA maximum.

■ Capacitor Selection

For minimum output voltage ripple, the output capacitor C_{OUT} should be a ceramic, surface-mount type. Tantalum capacitors generally have a higher Effective Series Resistance (ESR) and may contribute to higher output voltage ripple. Leaded capacitors also increase ripple due to the higher inductance of the package itself. To achieve best operation with low input voltage and high load current, the input and pump capacitors (C_{IN} , C_{PUMP} respectively) should also be surface-mount ceramic types. In all cases, X7R or X5R dielectric are recommended.

With high loads or higher input voltage, a smaller 0.1μF pump capacitor (C_{PUMP}) and smaller 1μF input and output capacitor (C_{IN} and C_{OUT} respectively) can be used. To minimize output voltage ripple, increase the output capacitor C_{OUT} to 10μF or larger.

■ Efficiency

The efficiency of the charge pump regulator depends on the applied input voltage, the load current, and the internal operation mode of the device.

The approximate efficiency is given by:

$$\text{Efficiency (\%)} = V_{OUT} / 2V_{IN} \cdot 100 \%$$

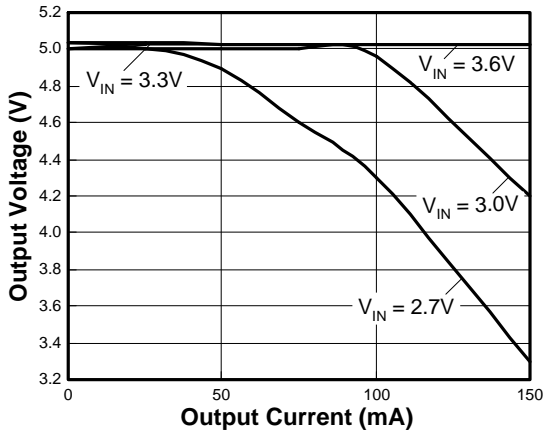
■ Layout

Large ripple currents flow in the V_{IN} and V_{OUT} traces. To minimize both input and output ripple, keep the capacitors as close as possible to the regulator using short, direct circuit traces.

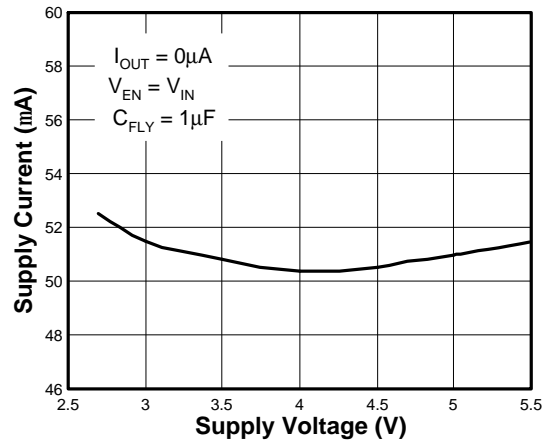
The trace lengths from the input and output capacitors have been kept as short as possible. A star ground system has been implemented, with GND pin as the center of the star. No ground plane is provided in other layers as this will provide capacitive coupling for noise spikes.



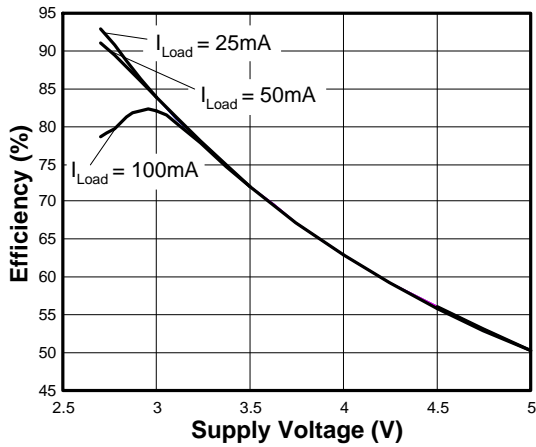
Output Voltage vs. Output Current



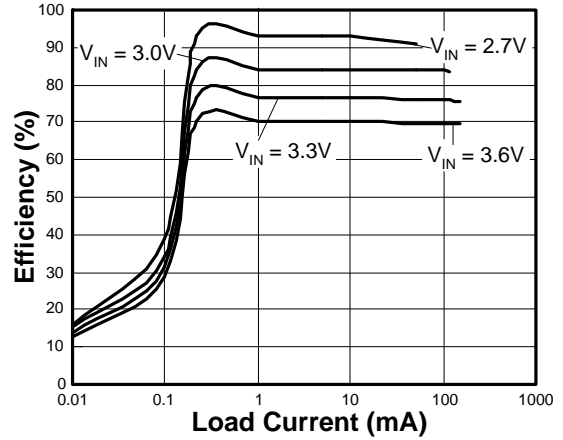
Supply Current vs. Supply Voltage



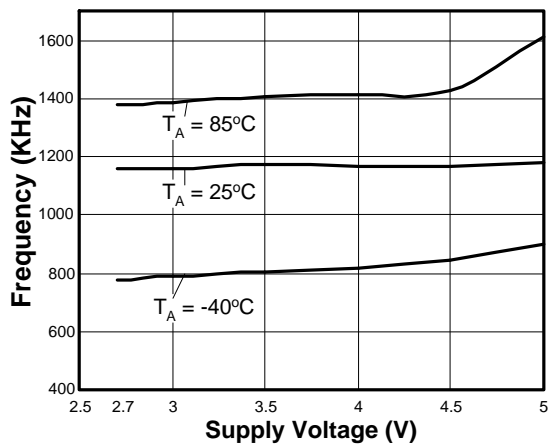
Efficiency vs. Supply Voltage



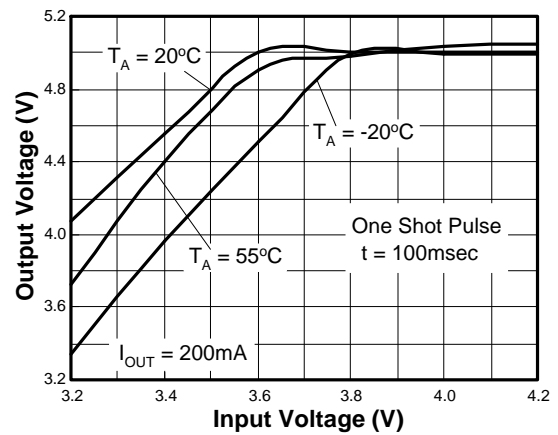
Efficiency vs. Load Current



Oscillator Frequency vs. Supply Voltage

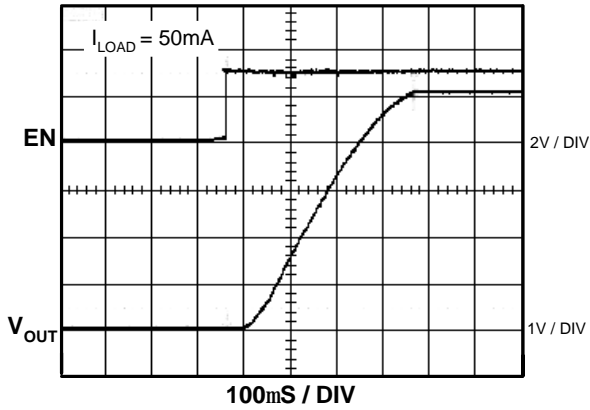


Output Voltage vs. Input Voltage

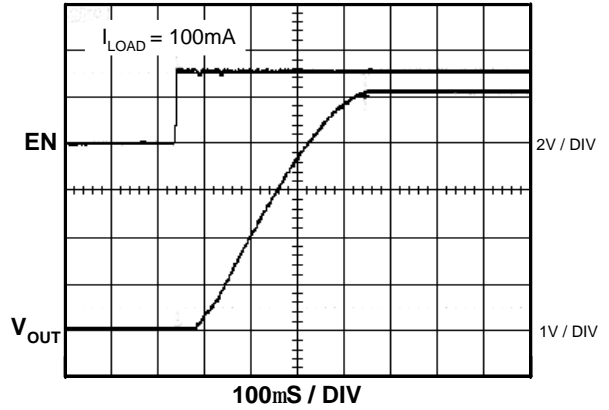




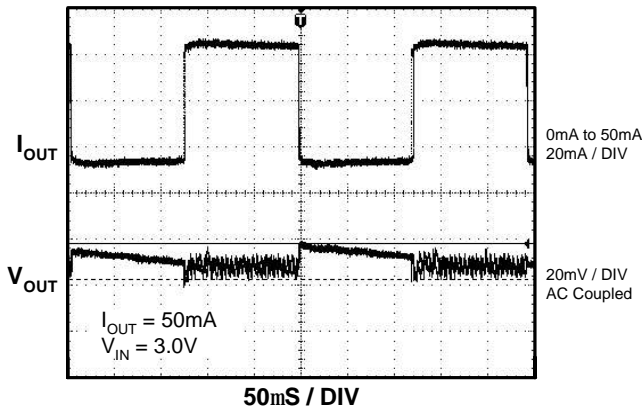
Startup Time



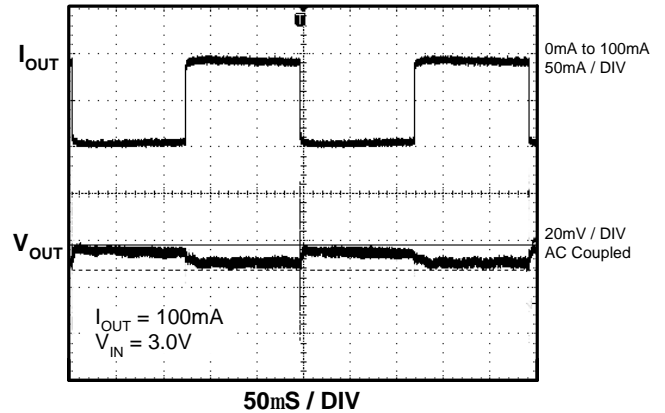
Startup Time



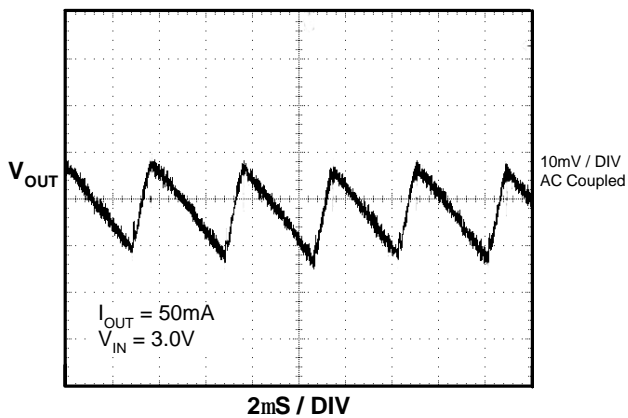
Load Transient Response



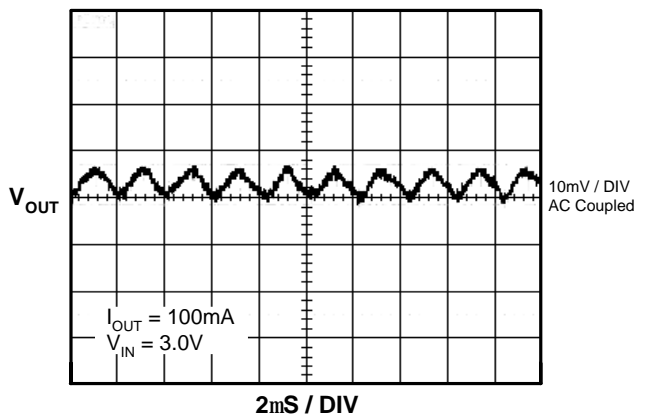
Load Transient Response



Output Ripple



Output Ripple



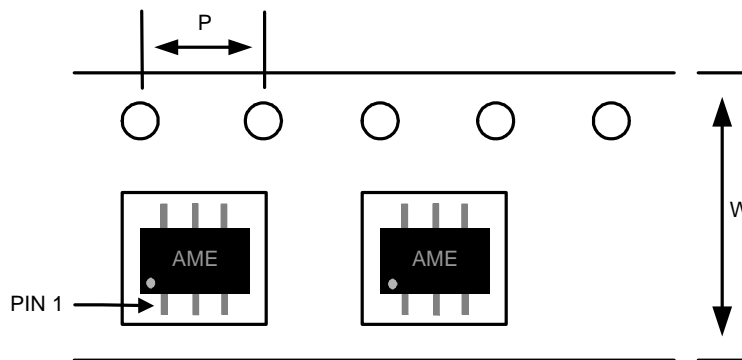


■ Date Code Rule

Marking			Date Code		Year
A	A	A	W	W	xxx0
A	A	A	W	<u>W</u>	xxx1
A	A	A	<u>W</u>	W	xxx2
A	A	A	<u>W</u>	<u>W</u>	xxx3
A	A	<u>A</u>	W	W	xxx4
A	A	<u>A</u>	W	<u>W</u>	xxx5
A	A	<u>A</u>	<u>W</u>	W	xxx6
A	A	<u>A</u>	<u>W</u>	<u>W</u>	xxx7
A	<u>A</u>	A	W	W	xxx8
A	<u>A</u>	A	W	<u>W</u>	xxx9

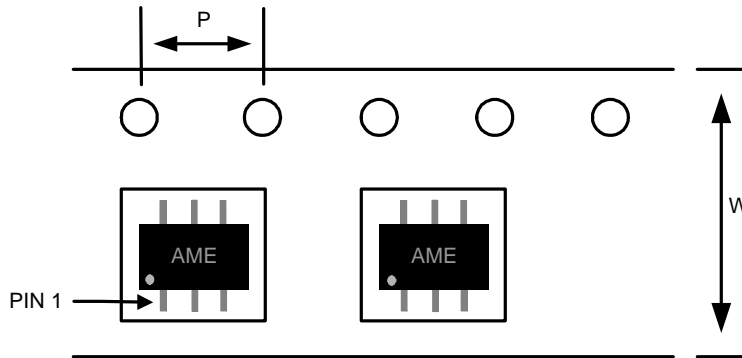
■ Tape and Reel Dimension

SOT-26



Carrier Tape, Number of Components Per Reel and Reel Size

Package	Carrier Width (W)	Pitch (P)	Part Per Full Reel	Reel Size
SOT-26	8.0±0.1 mm	4.0±0.1 mm	3000pcs	180±1 mm

■ Tape and Reel Dimension
TSOT-26

Carrier Tape, Number of Components Per Reel and Reel Size

Package	Carrier Width (W)	Pitch (P)	Part Per Full Reel	Reel Size
TSOT-26	8.0±0.1 mm	4.0±0.1 mm	3000pcs	180±1 mm

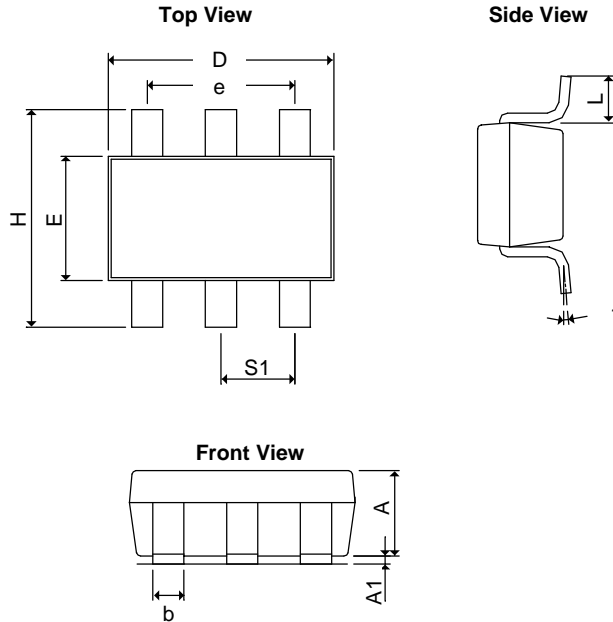


AME7730

100mA Regulated Charge Pump

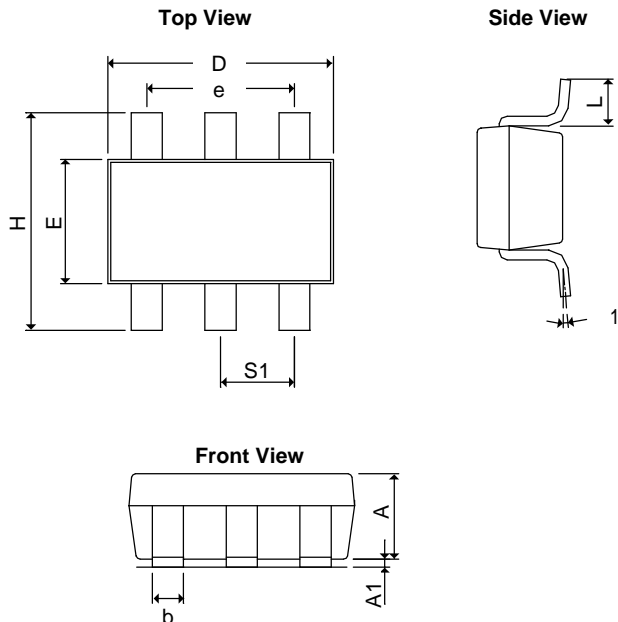
■ Package Dimension

SOT-26



SYMBOLS	MILLIMETERS		INCHES	
	MIN	MAX	MIN	MAX
A	1.20REF		0.0472REF	
A ₁	0.00	0.15	0.0000	0.0059
b	0.30	0.55	0.0118	0.0217
D	2.70	3.10	0.1063	0.1220
E	1.40	1.80	0.0551	0.0709
e	1.90 BSC		0.0748 BSC	
H	2.60	3.00	0.10236	0.11811
L	0.37REF		0.0146REF	
q ₁	0°	10°	0°	10°
S ₁	0.95REF		0.0374REF	

TSOT-26



SYMBOLS	MILLIMETERS		INCHES	
	MIN	MAX	MIN	MAX
A+A ₁	0.90	1.25	0.0354	0.0492
b	0.30	0.50	0.0118	0.0197
D	2.70	3.10	0.1063	0.1220
E	1.40	1.80	0.0551	0.0709
e	1.90 BSC		0.07480 BSC	
H	2.40	3.00	0.09449	0.11811
L	0.35BSC		0.0138BSC	
q ₁	0°	10°	0°	10°
S ₁	0.95BSC		0.0374BSC	



www.ame.com.tw
E-Mail: sales@ame.com.tw

Life Support Policy:

These products of AME, Inc. are not authorized for use as critical components in life-support devices or systems, without the express written approval of the president of AME, Inc.

AME, Inc. reserves the right to make changes in the circuitry and specifications of its devices and advises its customers to obtain the latest version of relevant information.

© AME, Inc. , June 2007

Document: 1005-DS7730-A.01

Corporate Headquarter
AME, Inc.

2F, 302 Rui-Guang Road, Nei-Hu District
Taipei 114, Taiwan.
Tel: 886 2 2627-8687
Fax: 886 2 2659-2989

U.S.A.(Subsidiary)
Analog Microelectronics, Inc.

3100 De La Cruz Blvd., Suite 201
Santa Clara, CA. 95054-2438
Tel : (408) 988-2388
Fax: (408) 988-2489